

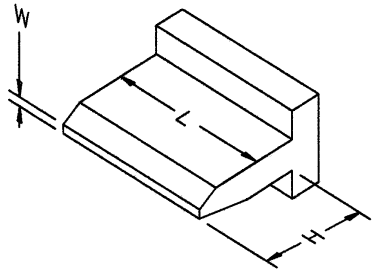
WELLER® MT1500 SOLDERING TIP NUMBERS AND DESCRIPTIONS

NOTE: TIP HEATERS ARE BURNED IN BEFORE SHIPMENT, SOME DISCOLORATION AROUND HEATER IS NORMAL

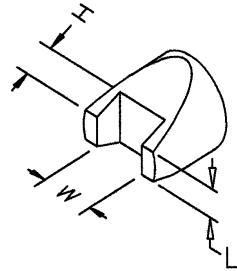
TIP NO.	DESCRIPTION	TIP SHAPE	TIP NO.	DESCRIPTION	TIP SHAPE	TIP NO.	DESCRIPTION	TIP SHAPE
MT200 Series Tips Heater Diameter And Reach 			MT600 Series Tips Heater Diameter And Reach 			MT609 Conical .023\"D x .600\"L (0.58mm D x 15.24mm L) 		
MT202	Conical .030\"D x 1.0\"L (0.76mm D x 25.4mm L)		MT601	Screwdriver .070\"W x .385\"L x .023\"T (1.78mm W x 9.78mm L x 0.58mm T)		MT610	Screwdriver .200\"W x .350\"L x .030\"T (5.08mm W x 8.89mm L x 0.76mm T)	
MT203	Conical, Mil-Spec. .030\"D x 1.0\"L (0.76mm D x 25.4mm L)		MT602	Screwdriver .100\"W x .390\"L x .030\"T (2.54mm W x 9.91mm L x 0.76mm T)		MT611	Chisel .060\"W x .610\"L x .010\"T (1.52mm W x 15.49mm L x 0.25mm T)	
MT204	Conical, Non-Wetting .030\"D x 1.0\"L (0.76mm D x 25.4mm L)		MT603	Conical Bent .020\"D x .600\"L (0.51mm D x 15.24mm L)		MT612	Conical Bent .050\"D x .880\"L (1.27mm D x 22.35mm L)	
MT211	Screwdriver .045\"W x 1.0\"L x .010\"T (1.14mm W x 25.4mm L x 0.25mm T)		MT604	Screwdriver .060\"W x .390\"L x .025\"T (1.52mm W x 9.91mm L x 0.64mm T)		MT613	Conical .020\"D x .520\"L (0.51mm D x 13.21mm L)	
MT212	Screwdriver, Non-Wetting .045\"W x 1.0\"L x .004\"T (1.14mm W x 25.4mm L x 0.10mm T)		MT605	Conical Bent .016\"D x .560\"L (0.41mm D x 14.22mm L)		MT614	Chisel .100\"W x .190\"L x .015\"T (2.54mm W x 4.83mm L x 0.31mm T)	
MT220	Calibration, Conical .030\"D x 1.0\"L (0.76mm D x 25.4mm L)		MT606	Conical .016\"D x .530\"L (4.06mm D x 13.46mm L)		MT615	Conical .030\"D x .390\"L (0.96mm D x 9.91mm L)	
MT221	Screwdriver .031\"W x 1.0\"L x .010\"T (0.79mm W x 25.4mm L x 0.25mm T)		MT607	Bevel .020\"D x .530\"L x .010\"T (0.51mm D x 13.46mm L x 0.25mm T)		MT616	Bevel .032\"D x .560\"L x .016\"T (0.81mm D x 14.22mm L x 0.41mm T)	
MT300 Series Tips Heater Diameter And Reach 			MT608	Bevel .040\"D x .560\"L x .020\"T (1.02mm D x 14.22mm L x 0.51mm T)		MT620	Calibration Screwdriver .070\"W x .385\"L x .023\"T (1.78mm W x 9.78mm L x 0.58mm T)	

WELLER® MT1500 SMD TIP NUMBERS AND DESCRIPTIONS

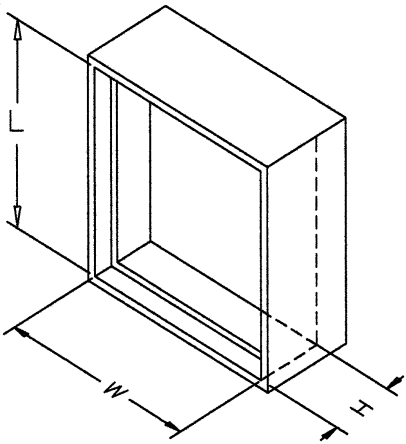
NOTE: TIP HEATERS ARE BURNED IN BEFORE SHIPMENT, SOME DISCOLORATION AROUND HEATER IS NORMAL



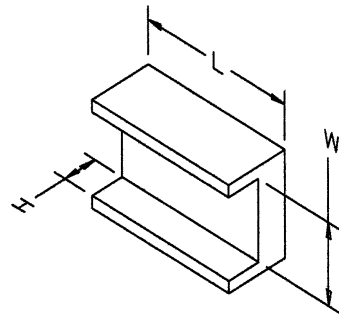
STYLE 1



STYLE 2



STYLE 3



STYLE 4

PART NO.	STYLE NO.	L INCHES MM	W INCHES MM	H INCHES MM
MT617	1	.410 / 10.414	.022 / .559	.280 / 7.112
MT618	2	.070 / 1.778	.135 / 3.429	.070 / 1.778
MT619	4	.410 / 10.414	.200 / 5.08	.090 / 2.286
MT621	4	.180 / 4.572	.200 / 5.08	.090 / 2.286
MT622	2	.060 / 1.524	.090 / 2.286	.070 / 1.778
MT623	4	.450 / 11.43	.270 / 6.858	.090 / 2.286
MT624	2	.100 / 2.540	.068 / 1.727	.055 / 1.397
MT625	2	.090 / 2.286	.190 / 4.826	.070 / 1.778
MT626	2	.105 / 2.667	.303 / 7.696	.150 / 3.81
MT1201	3	.500 / 12.7	.500 / 12.7	.150 / 3.81
MT1202	3	.410 / 10.414	.410 / 10.414	.150 / 3.81
MT1203F	3	.682 / 17.323	.682 / 17.323	.235 / 5.969
MT1204	3	.600 / 15.24	.500 / 12.7	.150 / 3.81
MT1205	1	.820 / 20.828	.022 / .559	.280 / 7.112
MT1206	1	.620 / 15.748	.022 / .559	.280 / 7.112
MT1207	4	.520 / 13.208	.375 / 9.525	.125 / 3.175
MT1208F	3	.965 / 24.511	.965 / 24.511	.235 / 5.969
MT1209	4	.740 / 18.796	.355 / 9.017	.125 / 3.175
MT1210	4	.720 / 18.288	.375 / 9.525	.125 / 3.175
MT1211	4	.620 / 15.748	.375 / 9.525	.125 / 3.175
MT1212	3	.540 / 13.716	.340 / 8.636	.150 / 3.81
MT1213	3	.915 / 23.241	.680 / 17.272	.150 / 3.81
MT1214F	3	1.165 / 29.591	1.165 / 29.591	.235 / 5.969